

# FERRI<sup>®</sup>

Boom mowers for agriculture  
and green areas

**T460**  
*SMART*



# T460

SMART

An innovative project for a modern agriculture. An ambitious task was given to the Ferri technical department: to realize a compact, reliable, strong and lightweight boom mower. In collaboration with the Institute IMAMOTER CNR we managed to reduce weight thanks to

an innovative oil tank in polypropylene. The reliability and strength are ensured by the new Delta Box frame. Compact but powerful, the pump engaging the rotor is entirely cast iron made.

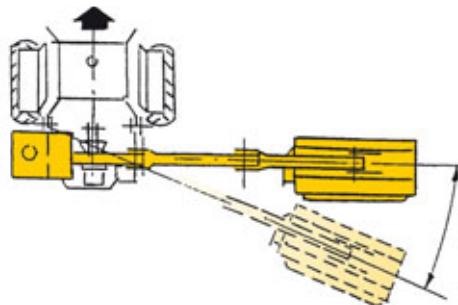
## Boom mowers for agriculture and green areas



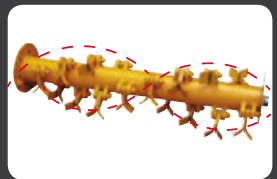
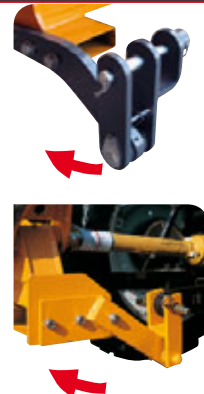
The polypropylene oil tank is separated from the frame and allows it to be isolated from any structural stress. Fully recyclable.



Developed and tested in collaboration with:



Mechanical breakaway (arm protection in case of obstacles)



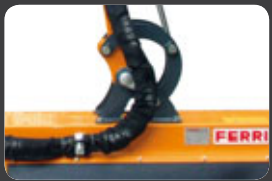
"Overlap" spiral rotor with two spiral rows.



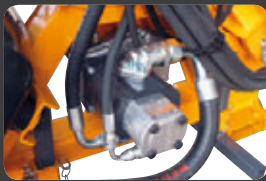
# FERRI®



Left hand version



Flail head angle 190°



Cast iron hydraulic rotor pump group 3



**classic**  
Cable controls

## IMPLEMENTS



Cutter bar




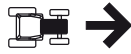

# Boom mowers for agriculture and green areas




Technical data		T460 SMART
<b>Model</b>		<b>DUAL</b>
Max horizontal reach*	ft	15'1"
3 Points Linkage	Cat.	II
Weight	lbs	1279
Oil	gal	31,7
P.t.o.	MAX Rpm	540

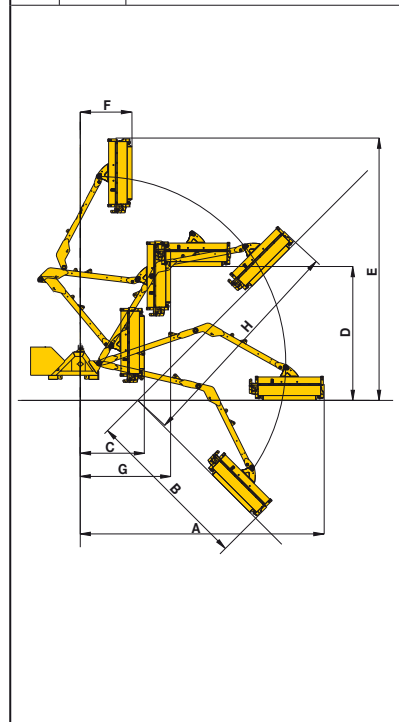
\* Reach measured from tractor centre line to head edge.

Flail head		TIM110	 <p><b>TIM110</b> Direct Drive Cast iron motor</p>
Width of cut	ft	3'5"	
Rotor speed	Rpm	3100	
Blade tip speed	ft/sec	196	
Flail head angle		190°	
Weight	lbs	286	
<b>Power available to the rotor</b>	<b>HP</b>	<b>35</b>	
<b>Power max to hydraulic motor</b>	<b>HP</b>	<b>45</b>	

Tractor						
<b>HP</b>		<b>50</b>	<b>60</b>	<b>70</b>	Min. Tractor weight	Min. Tractor width
<b>T460 SMART DUAL</b>					4850 lbs	5'11" ft

Flails		N°
<b>TIM110</b>	Interchangeable on the same rotor	
Multi-use and straight blades for: grass, shrubs, bushes, sticks, wood.	Ø max 1 3/4"	 32+16

Working positions (ft)		
		<b>T460 SMART DUAL</b>
<b>A</b>	ft	15'1"
<b>B</b>	ft	10'4"
<b>C</b>	ft	3'9"
<b>D</b>	ft	7'6"
<b>E</b>	ft	16'3"
<b>F</b>	ft	3'1"
<b>G</b>	ft	5'4"
<b>H</b>	ft	13'9"



All data subject to change  
campbelladv.com 55613 T460 - USA - EN Rev.0 - 500

[www.ferri-america.com](http://www.ferri-america.com)



**FERRI srl**  
Via Govoni, 30  
44034 Tamara (FE) Italy  
Tel. +39 0532 866866  
Fax +39 0532 866851  
info@ferri-srl.it - www.ferri-srl.it



**Customer Service  
Sales & Marketing/FERRI:**  
Don Garner  
Vancouver, WA 98682  
tel. 360-281-3641  
d.garner@ferri-srl.it

**Parts Stock / FERRI:**  
J.S. Woodhouse Co., Inc.  
1314 Union Street  
P.O. Box 1169  
West Springfield, Ma. 01090 U.S.A.  
tel. 413-736-5462  
fax 413-732-3786  
info@jswoodhouse.com